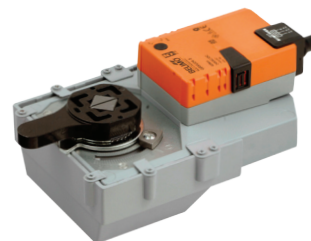


- General Rotary Actuators for:
- Torque:
- Modulating control:
- Open/Close control:

DN100...150 CCV
40Nm
GRVU24-SR-7 (AC/DC 24V)
GRVU24-7 (AC/DC 24V)
GRVU230-7 (AC 100...240V)


Technical data

Basic technical data		Torque	Min. 40Nm @ nominal voltage
		Angle of rotation	90°
		Direction of rotation	Pre-setting ↻ to close (switch hidden under a label)
		Sound power level	Max. 45dB(A)
		Position indicator	Mechanical
		Running time	150s
		Mode of operation	Type 1 (EN 60730-1)
		Ambient temp.	0...+50°C
		Non-operation temp.	-40...+80°C
		Humidity	5...95% RH, non-condensing
		Degree of protection	IP54
		EMC	CE according to 89/336/EEC
		Low voltage directive	CE according to 73/23/EEC
		Maintenance	Maintenance-free
GRVU24-SR-7	Nominal voltage range	AC 19.2...28.8V, 50/60Hz / DC 21.6...28.8V	
	Power consumption -running	4.5W @ nominal torque	
	-holding	1.5W	
	For transformer sizing	6.5VA	
	Connecting cable	Cable 1m, 4x0.75mm ²	
	Control signal Y	DC (0)2...10V @ input impedance 100kΩ	
	Position feedback signal U	DC 2...10V @ max. 1mA	
	Position accuracy	±5%	
	Protection class	III (Extra-low voltage)	
	Weight	2.5kg	
GRVU24-7	Nominal voltage range	AC/DC 19.2...28.8V, 50/60Hz	
	Power consumption -running	4.5W @ nominal torque	
	-holding	2W	
	For transformer sizing	7VA	
	Connecting cable	Cable 1m, 3x0.75mm ²	
Protection class	III (Extra-low voltage)		
GRVU230-7	Weight	1.9kg	
	Nominal voltage range	AC 85...265V, 50/60Hz	
	Power consumption -running	4W @ nominal torque	
	-holding	2W	
	For transformer sizing	7VA	
	Connecting cable	Cable 1m, 3x0.75mm ²	
	Protection class	II (Totally insulated)	
Weight	1.9kg		

Product features

Mode of operation

GRVU24-SR-7 is controlled by means of a standard modulating control signal DC (0)2...10V and travels to the position defined by this signal. The feedback signal U allows the valve position (0...100%) to be electrically indicated and serves as a follow-up control signal for other actuators.

Adjustable angle of rotation

Adjustable angle of rotation with mechanical end stops.

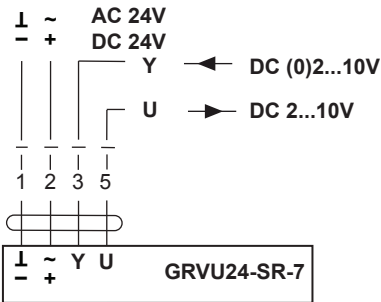
High function reliability

The actuator is overload-proof, requires no limit switches and stops automatically when the end stop is reached.

Wiring diagrams

GRVU24-SR-7

Modulating control



Notes:

- Connection via safety isolating transformer.
 - Other actuators can be connected in parallel.
- Please note the performance data.

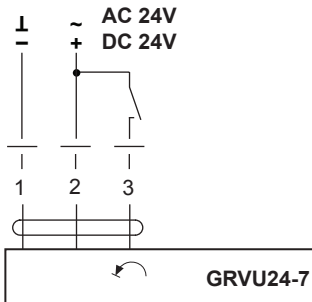


Direction of rotation
(factory setting, switch hidden)



GRVU24-7

Open/Close control



Notes:

- Connection via safety isolating transformer.
 - Other actuators can be connected in parallel.
- Please note the performance data.

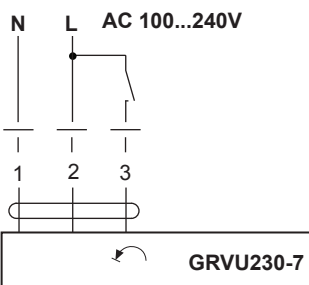


Direction of rotation
(factory setting, switch hidden)



GRVU230-7

Open/Close control



Notes:

- Caution: Power supply voltage!
 - Parallel connection of other actuators possible.
 - Direction of rotation switch is covered.
- Factory setting: Direction of rotation Y2



Direction of rotation
(factory setting, switch hidden)



Dimensions [mm]: GRVU..-7

